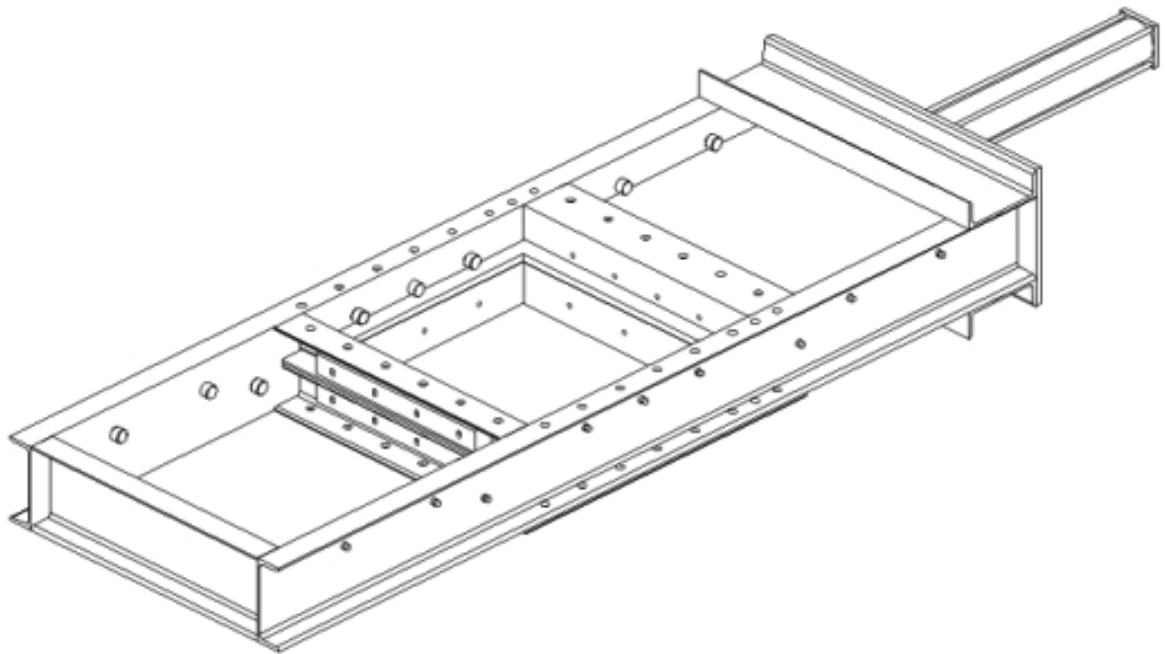


"CUSTOM MACHINE DESIGN AND MANUFACTURING"

POWERED SLIDE GATE

## *W.G. BENJIE POWERED SLIDE GATE*



Our powered shut off slide gates can be used to regulate or stop material flow through any duct, chute, or conveyor. Designed to be used with our line of Fluid Air Conveyor systems, these gates can be made to fit virtually any application. Powered gates are also interchangeable with our manual gates for easy system upgrades.

### Standard Features

- Rugged Frame
- Cam followers and plastic blade packing for smooth gate operation
- Double acting pneumatic cylinder with flow controls

### Optional Features

- Adjustable blade seals
- Abrasion resistant plating to reduce wear and extend useful life
- Hydraulic cylinder or electric ball screw may be used for the actuator
- Position sensing for all types of actuators
- Design can be adjusted to fit any application