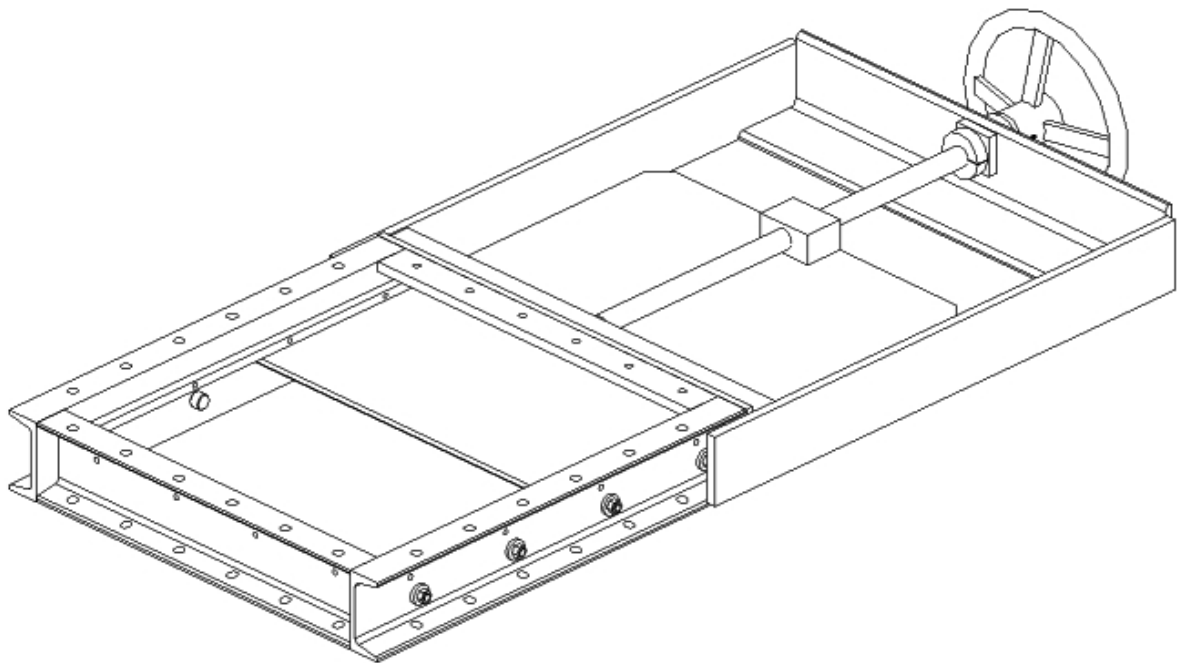


"CUSTOM MACHINE DESIGN AND MANUFACTURING"

MANUAL SLIDE GATE

W.G. BENJIE MANUAL SLIDE GATE



Use our manual shut off slide gates to regulate or stop material flow through any duct, chute, or conveyor. Designed to be used with our line of Fluid Air Conveyor systems, these gates can be made to fit virtually any application.

Standard Features

- Rugged Frame
- Cam followers, plastic blade packing, and bronze bearings for smooth gate operation
- Plain hand wheel

Optional Features

- Adjustable blade seals
- Abrasion resistant plating to reduce wear and extend useful life
- Hand wheel with rotating handle
- Design can be adjusted to fit any application